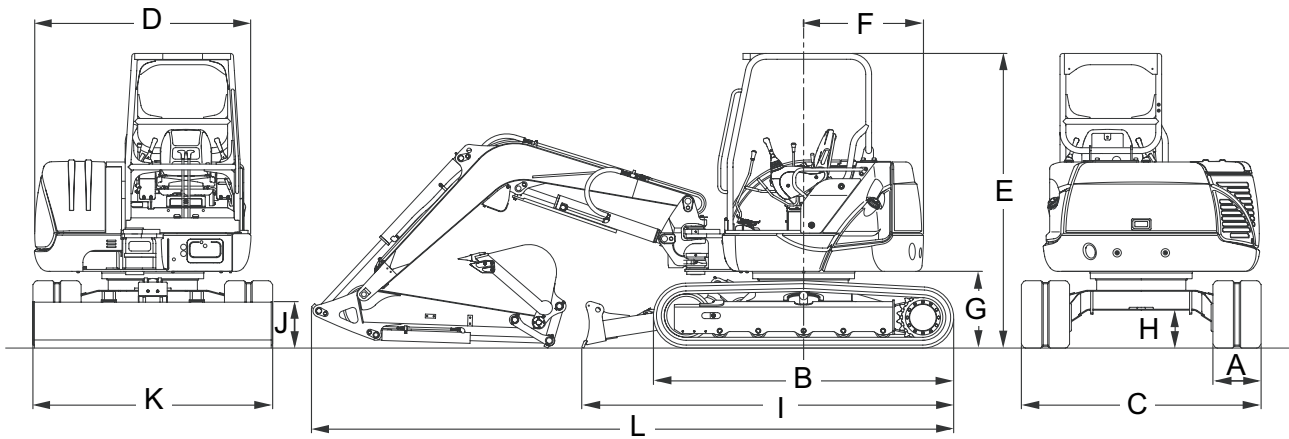
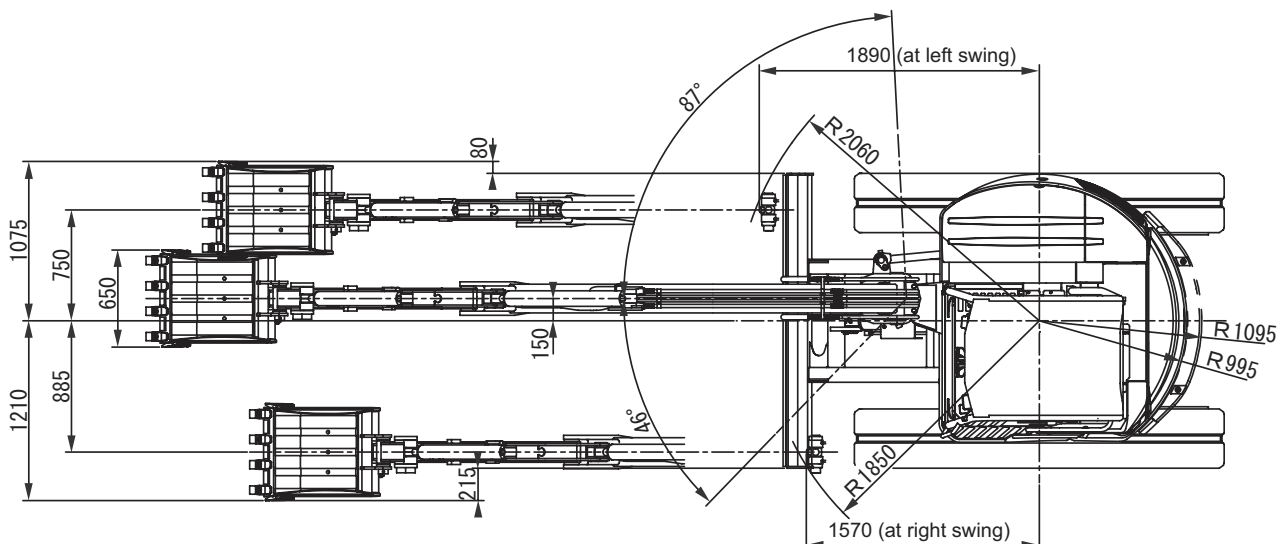


■ Overall dimensions

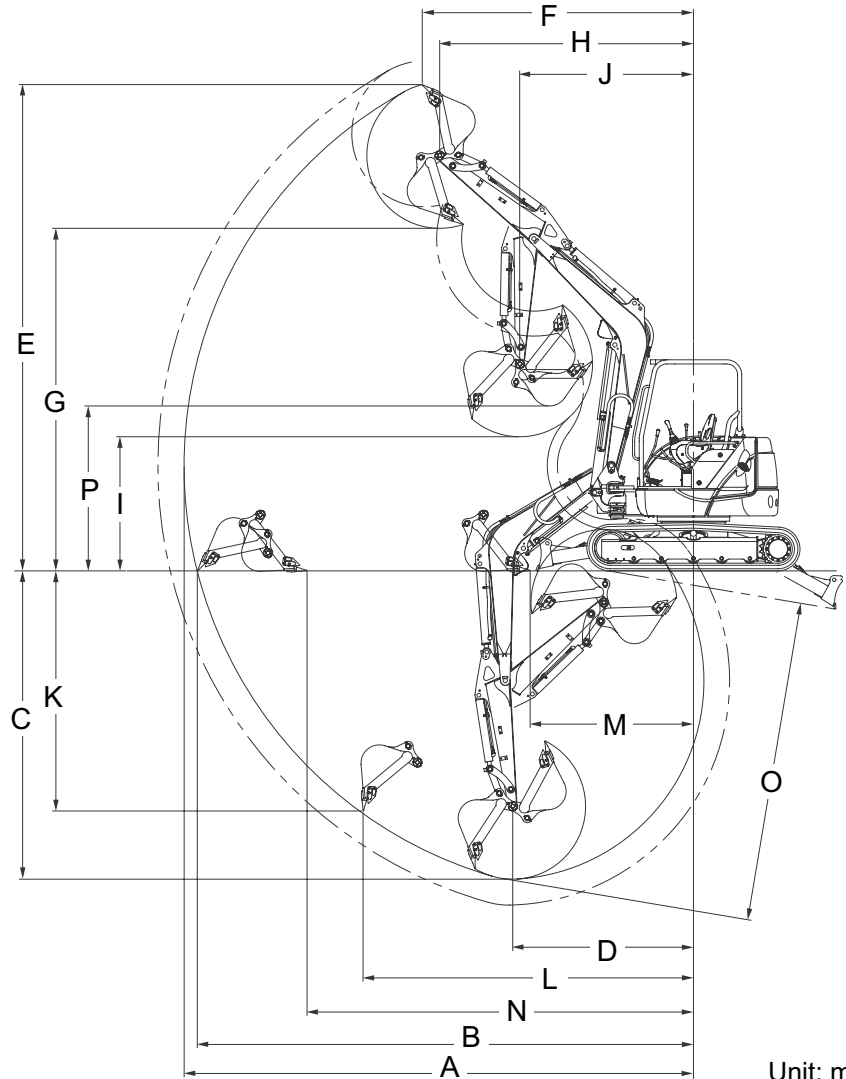


Unit: mm

| Class                    | Codes        | Description                                    | Rubber shoe | Steel shoe |            |
|--------------------------|--------------|--|-------------|------------|------------|
| Body external dimensions | A            | Crawler shoe width                             | 400         | 400        |            |
|                          | B            | Crawler total length                           | 2490        | 2490       |            |
|                          | C            | Crawler total width                            | 1990        | 1990       |            |
|                          | D            | Total width                                    | Canopy      | 1805       | 1805       |
|                          |              |  | Steel cab   | 1805       | 1805       |
|                          | E            | Total height                                   | Canopy      | 2465       | 2470       |
|                          |              |  | Steel cab   | 2540       | 2545       |
|                          | F            | Rear end turn radius ( ): Add CWT type machine |             | 995 (1095) | 995 (1095) |
|                          | G            | Turn body rear lower end height                |             | 640        | 645        |
|                          | H            | Minimum height from the ground                 |             | 320        | 325        |
|                          | I            | Lower machine total length                     |             | 2970       | 2970       |
|                          | J            | Blade height                                   |             | 385        | 385        |
| K                        | Blade width  |  | 1990        | 1990       |            |
| L                        | Total length | Blade forward                                  | 5480        | 5480       |            |
|                          |              | Blade backward                                 | 5960        | 5960       |            |



■ Backhoe work range



**CAUTION**  
 The deep dig work on the blade side may cause interference between the boom cylinder and blade.

Unit: mm

| Code | Name   | Standard arm | Long arm |
|------|--|--------------|----------|
|      | Standard attached bucket capacity (m <sup>3</sup> ) new JIS stack type | 0.16         | 0.14     |
| A    | Maximum digging radius   | 6170         | 6470     |
| B    | Maximum floor level digging radius                                     | 6020         | 6330     |
| C    | Maximum digging depth (without blade)                                  | 3800         | 4100     |
| D    | Radius against maximum digging depth                                   | 2230         | 2260     |
| E    | Maximum digging height   | 5900         | 6140     |
| F    | Radius against maximum digging height                                  | 3220         | 3360     |
| G    | Maximum dump height  | 4220         | 4460     |
| H    | Radius against maximum dump height                                     | 3020         | 3210     |
| I    | Minimum dump height  | 1560         | 1270     |
| J    | Radius against minimum dump height                                     | 2060         | 2150     |
| K    | Maximum vertical digging depth   | 2970         | 3370     |
| L    | Radius against maximum vertical digging depth                          | 3990         | 3930     |
| M    | Minimum floor level digging radius                                     | 1920         | 1790     |
| N    | Minimum floor level digging distance                                   | 4730         | 5030     |
| O    | Maximum digging depth for use of read soil-preventive plate            | 3940         | 4250     |
| P    | Minimum dump height against bucket in horizontal state                 | 1920         | 1630     |